



CORONA RPI / S

Robust, low tension (24v) ceiling operator
600 Nm, 1100 Nm, 1500 Nm versions available



Quick coupling motor on one piece guide with chain



USER 1-24V DG control unit programmable with LED display and integrated warning light



One piece of 3m aluminum guide for CORONA S with mechanical limit switches

- ▶ Non reversing gear motor, no electric lock needed, guaranteeing max. safety against break-in attempts
- ▶ Slowdown during closing and opening phase
- ▶ On request version 2 pieces steel rails (T3.5I) and version also with belt (T3CI) for version 60 Kg
- ▶ Internal release with rope in case of power failure. PLUS version also with additional internal/external release with handle
- ▶ Adjustable anti-crushing sensitivity
- ▶ Courtesy LED light on all models
- ▶ On request carter + LED card for extra light
- ▶ New model CORONA 1500 with metal motor plate and bigger gear box motor

SPECIFICATIONS	CORONA 60/110 CORONA 150
Power supply	24V
Power Consumption (W)	140 / 370 W
Opening speed	adjustable
Frequency of use	60% /40%
Max torque	600/1100 Nm/1500 Nm
Working temperature	-20°C/60°C
Weight	13 / 14 kg
Anti crushing clutch	Electronic
Protection class	IP 20
Limit switch	Electronic

USER 1 24DG

- Management of one 24V motor
- Adjustable slowdown in opening and closing
- Motor speed adjustment
- Adjustable pedestrian opening
- 24V Led warning lamp
- Differentiated leaf delay for opening and closing
- Working times self-learning
- Encoder management (only for CORONA)
- Programming through Jolly 3
- Adjustable amperometric type inversion on obstacle
- Photocells self-test
- Balanced or standard safety edge management
- Extractable terminals
- Slowdown speed adjustment
- Emergency battery management through optional battery charging card
- Built-in radio decoding for RF UNI (max. 30 users fix code or 800 users rolling code coding)
- Automatic, safety and step by step type 1, step by step type 2, 2 buttons, dead-man logics
- Motor and limit switch inversion (right /left mounting)
- Start in pause setting
- Prepared for Master/Slave function
- Low consumption in standby
- Adjustable courtesy light output up to 4 minutes
- Number of performances before assistance
- Settable photocell inputs
- Max capacity 300mA transformer 24V accessories outlet
- Magagement of photocells 10K



...and many other functions

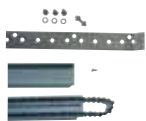
ACCESSORIES



Kit for overhead doors



External release kit for CORONA S



Guide with additional brackets (1 m extension) only for CORONA S



Battery kit with box



Battery charger 800 mA with solar panel admin



Key pad



Kit SUNNY 20W solar panel + control unit ESUN Q + battery



3 m chain steel guide for CORONA RPI



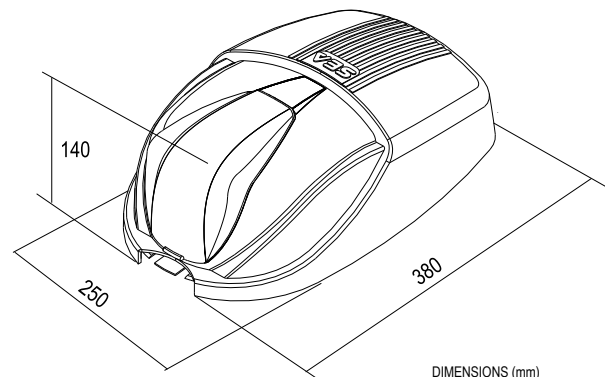
Chain steel guide for CORONA RPI (2x1,75 m)



Chain steel guide for CORONA RPI (2 x 1,9 m)



3 m one piece guide with belt for CORONA RPI



DIMENSIONS (mm)

