

Through Beam Photoelectric Beam Sensor

Features

- Long Sensing Range: 30 meters
- IP-66 Water Proof
- N.C. / N.O. / Common Relay Output
- Terminal Block Wiring Connection
- Mounting Bracket/ Screws Included
- Tx Power Adjustment
- AC / DC 12~24V Input Voltage

Applications

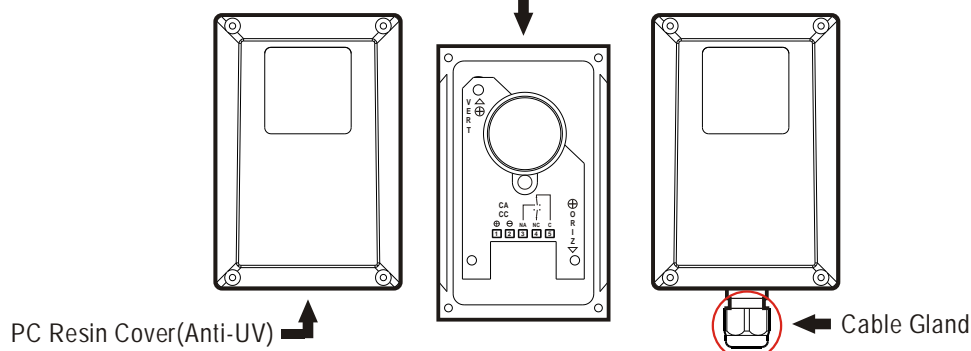
- Gate or Garage Door
- Overhead Doors
- Conveyer
- Door Entrance
- Parking Lot
- Alarm System
- Warehouse

Specifications

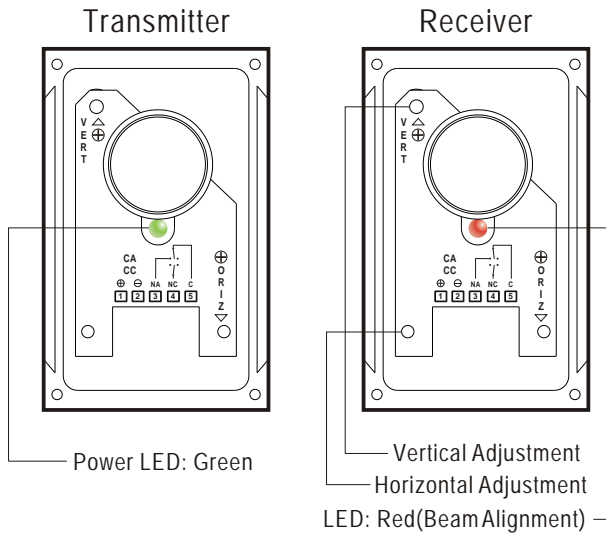
Detection Method	Through Beam
Sensing Range	30 meters
Input Voltage	AC / DC 12~24V
Response Time	100 ms
Emitting Element	IR LED
Operation Indicator	Red Led(Rx): On (when beam is broken), Green (Tx): On
Dimensions	21mm(w) × 87mm(h) × 38 mm(t)
Output Method	Relay Output
Current Consumption	Tx: 37mA/ Rx: 30mA (when beam aligned properly) Tx: 37mA/ Rx: 15mA (when beam is broken)
Contact Current	1A / 120VAC
Illumination	Lamplight<10,000 Lux ; Sunlight<30,000 Lux
Connection Method	Terminal Block
Noise Resistance	1500Vp-P / 1us
Surge Resistance	2KV / 1uS
Vibration Resistance	10~55Hz / 1.5mm, 2 Hour In X.Y.Z. Phase
Housing Material	Casing : Nylon Cover : PC resin
Operating Temp.	-20°C ~60°C
Water Proof	IP-66
Safety Standard	CE

Side View

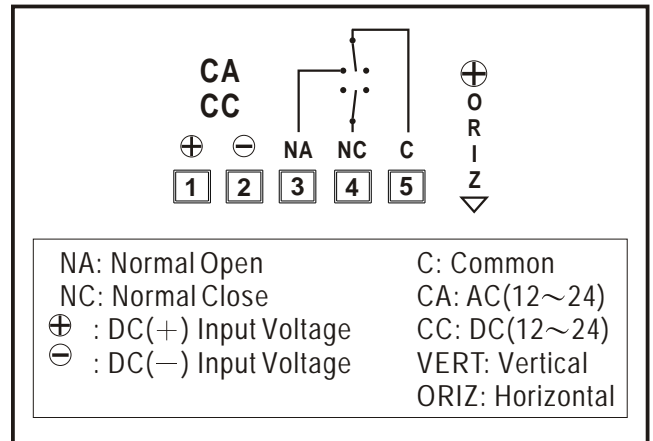
Bottom Casing: Nylon Material



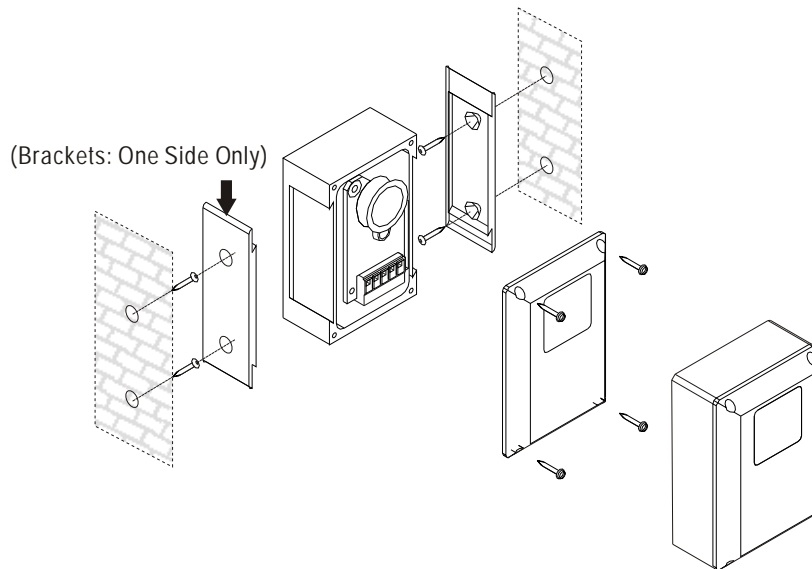
Internal View



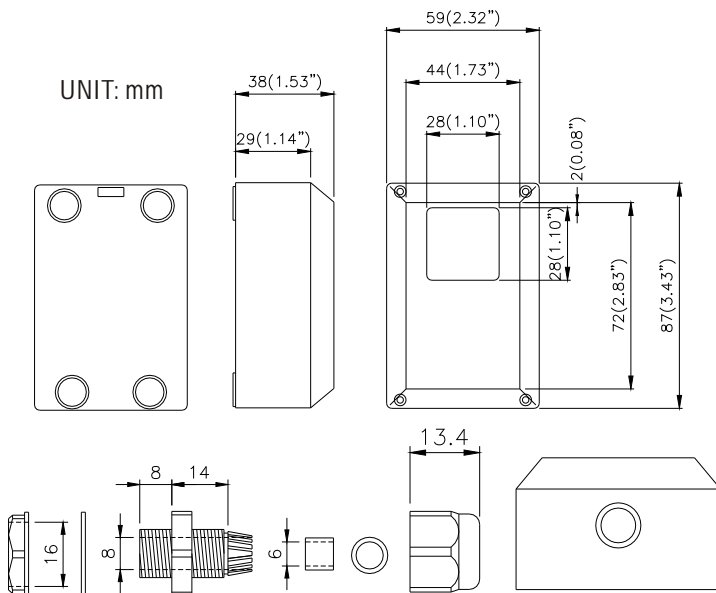
Wiring Connection Diagram



Standard Installation



Dimensions



Box Ticket



Manufactured by:
ECA Electronic Engineering Pty. Ltd.
 Tel: 03-95720535 Fax: 03-95720536 Australia.

N10776