



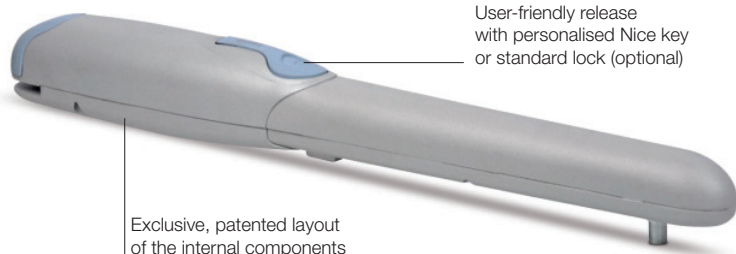
The most complete and innovative  
range to automate swing gates.



**Nice**



WG202



User-friendly release with personalised Nice key or standard lock (optional)

Exclusive, patented layout of the internal components

**For swing gates with leafs up to 2 m, surface mounted.**

24 Vdc electromechanical gear motor.

**Compatible for operation with Solemyo system.**

Patented layout of the internal components: fewer moving parts **means greater reliability and quiet operation.**

**Easy to install:** after the gear motor has been assembled, all electrical connections are made from above.

**User-friendly release** with personalised Nice key or standard lock (optional).

**Pre-assembled,** travel stops PLA13 on opening.

**New Moonclever control unit MC424L:**

- simple programming, by means of a single key;
- clutch with anti-crush safety feature;
- automatic memorization of limit switches on opening and closing with self-learning function;
- programming of pause time;
- pedestrian pass door;
- deceleration on opening and closing;
- obstacle detection system;
- can be linked to the 8.2 KOhm resistive sensitive edge;
- continues to work even during power failures using optional (PS124) batteries that fit inside the control unit.

**FLO2RE (included in kit) x 2**



**MC424L (Included)**



**MOF (optional)**



**MOSE (optional)**



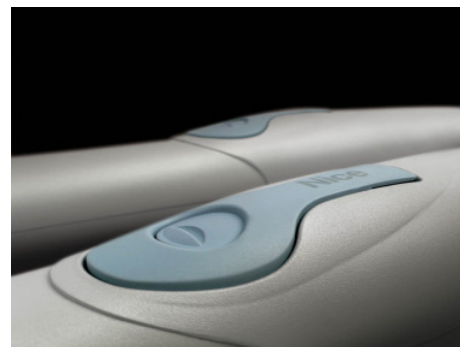
**ML24T (optional)**



**PLA13 (optional) TS**



**WG2024** 2 surface-mounted electromechanical gear motors, with Nice key release.  
**FLO2RE** 2 transmitter 433.92 MHz, 2 channels. **MC424L** 1 control unit with SMXI plug-in receiver.  
**MOF** 1 pair of photocells for outdoor installation. **MOSE** 1 key selector switch for outdoor installation.  
**ML24T** 1 flashing light with integrated aerial. **PLA13** 2 travel stops for opening manoeuvres.  
**TS** 1 signboard.



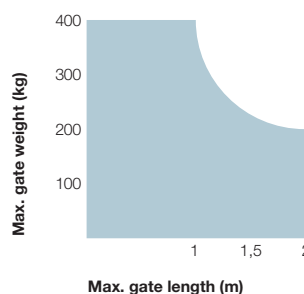
Code	Description
<b>WINGO2024</b>	Kit for swing gates with leafs up to 2 m, 24 Vdc, surface mounted

**N.B.** The content of the package may vary: consult the retailer .

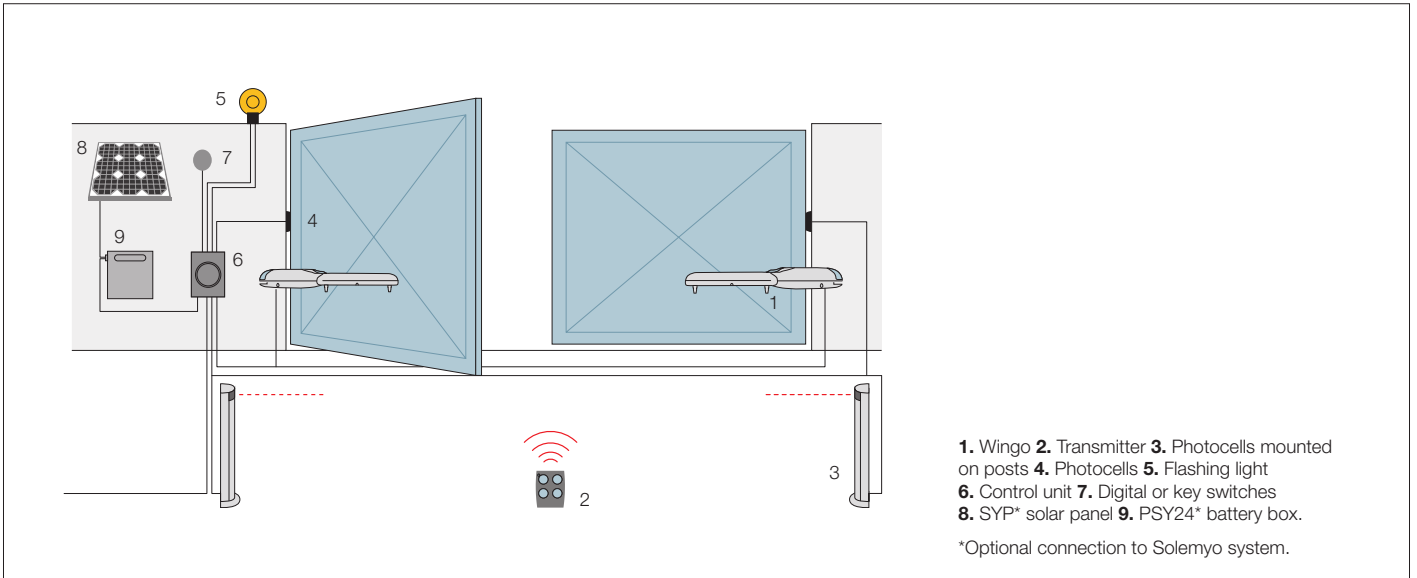
## Technical specifications

Code	WG4024
<b>Electrical data</b>	
Power supply (Vdc)	24
Absorption (A)	3.5
Power (W)	85
<b>Performance data</b>	
Speed (m/s)	0.018
Force (N)	1500
Work cycle (cycles/hour)	30
<b>Dimensional and general data</b>	
Protection level (IP)	44
Working temp. (°C Min/Max)	-20 ÷ +50
Dimensions (mm)	770x98x95 h
Weight (kg)	17

## Utilisation limits



## Example of general setup with safety including solar



## Optional Accessories



**PS124**  
24 V battery with integrated battery charger.



**PLA14**  
Screw-adjustable rear bracket.



**PLA15**  
Screw-adjustable front bracket.



**CM-B**  
Pawl with two metal release keys.



**PLA10**  
Vertical 12 V electric lock (required for gates longer than 3 m).



**GO**  
Shockproof cover for NiceWay transmitters



**PLA13**  
Mechanical travel stops for closing and opening manoeuvres.



**MOTXR**  
Wireless keypad



**F210 & FA1**  
Photo safety beam with vandal resistant cover



**ON4E**  
Transmitter 433.92 MHz, 2 channel



**ABF**  
Tuned 433.92MHz aerial



**OPLA**  
Wireless wall button for multiple functions

## Solemyo system



The solar power kit Solemyo to automate gates, garage doors or barrier gates, including those located far from the power mains and without the need for costly and invasive excavation work.



Solemyo solar kit







## Certified quality.

Safety, quality, reliability and durability are priorities for Nice. All Nice Products in fact comply with the provisions of the **European Directives** governing construction.

## Service

Dealers who offer Nice products to their customers believe in the value of quality; providing service that satisfies all the needs and wishes of customers, before and after sales, is a duty. Contact a Nice specialist with complete trust!

